

# Air Conditioning

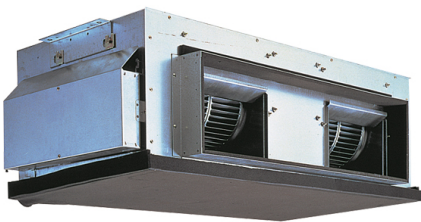
## Product Information

### PEA-RP250GAQ : Standard Inverter Heat Pump

R410A Large Capacity Ceiling Concealed Ducted System



The Standard Inverter range offers customers all of the features and benefits of inverter technology whilst being cost effective



## FEATURES



### INDOOR

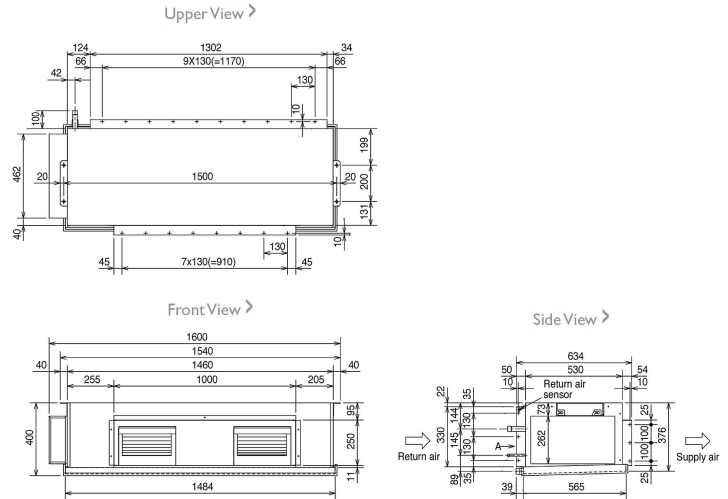
Heating Capacity (kW) (nominal)	27.0 (12.5 - 31.5)
Cooling Capacity (kW) (nominal)	22 (11.2 - 28)
Heating Capacity (kW) (UK)	23.0 (10.65 - 26.8)
Cooling Capacity (kW) (UK)	20.25 (10.3 - 25.75)
SHF (nominal and UK)	0.86
COP / EER (nominal)	3.19 / 2.61
Energy Efficiency Class - Heating / Cooling	D / D
Pipe Size Gas (mm [in])	28.58 (1 1/8")
Pipe Size Liquid (mm [in])	12.7 (1/2")
External Static Pressure (Pa)	150
Airflow (m <sup>3</sup> /min) Lo-Hi	64 - 80
Sound Pressure Level (dBA) Lo-Hi	49 - 52
Dimensions (mm) Width x Depth x Height	1600 x 634 x 400
Weight (kg)	77
Electrical Supply	380-415V, 50HZ
Phase	THREE
Power Input (kW) nominal / UK	1.18 / 1.05
Starting Current (A)	5.6
Running Current (A) [MAX]	2.3 [2.8]
Fuse Rating (BS88) - HRC (A)	6
Interconnecting Cable No. Cores	3

### OUTDOOR

Sound Pressure Level (dBA) Heating / Cooling	59 / 59
Weight (kg)	135
Dimensions (mm) Width x Depth x Height	950 x (330+30) x 1350
Electrical Supply	380-415V, 50HZ
Phase	THREE
System Power Input (kW) - Heating / Cooling (nominal)	8.47 / 8.44
System Power Input (kW) - Heating / Cooling (UK)	7.54 / 7.17
Starting Current (A)	5
System Running Current (A) Heating / Cooling [MAX]	12.00 / 11.00 [21.0]
Fuse Rating (BS88) - HRC (A)	25
Mains Cable No. Cores	5
Max Pipe Length (m)	70
Max Height Difference (m)	30
Charge R410A (kg) - Pre charged length (m)	7.1 - 30

### DIMENSIONS

PEA-RP250GAQ



### DIMENSIONS

PUHZ-P250YHA3

